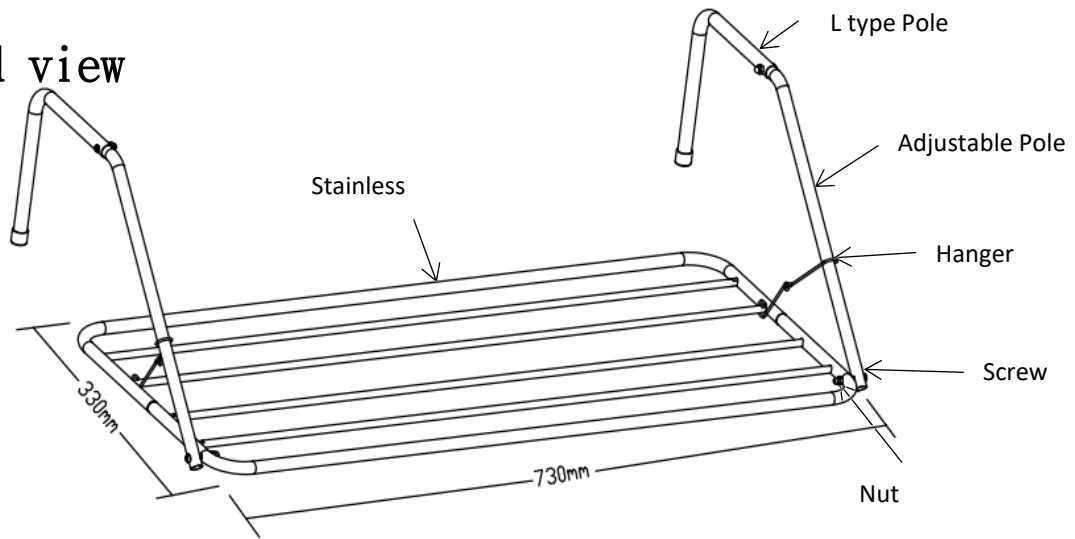
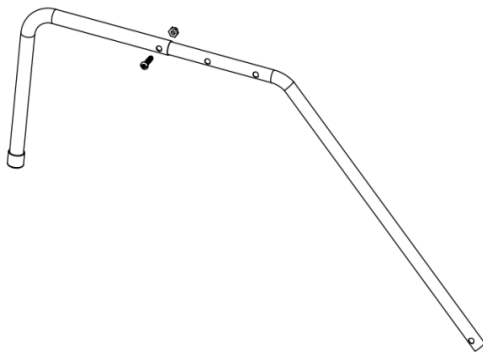


Assembled view

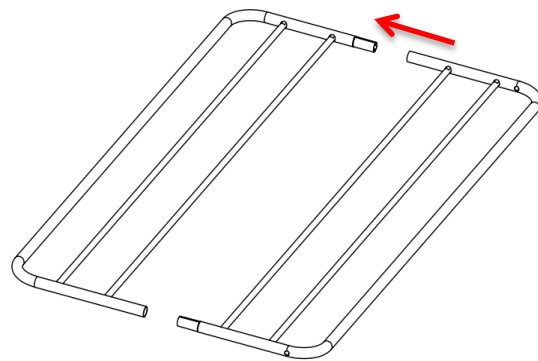


1, Adjust L type pole length and assembled

Assemble the veranda rail to match the thickness of the railing.

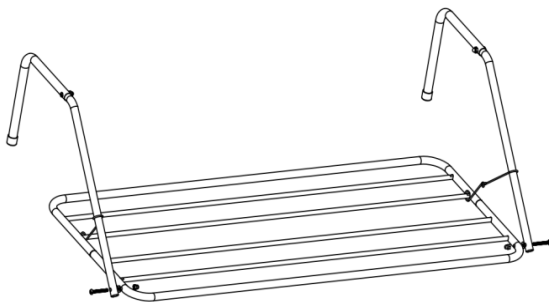


2, Assembled Stainless rack



3, Assembled finished

Placed hanger into the adjust pole and stainless rack finished with bolts.
Placed washer between adjust pole and stainless rack.



Onsite View

Installed



Folded

