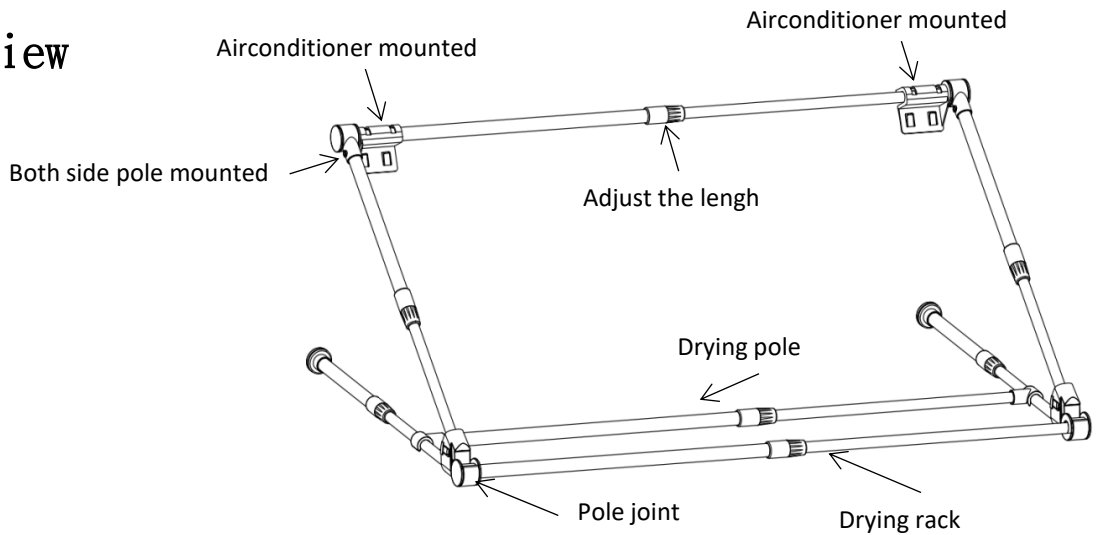
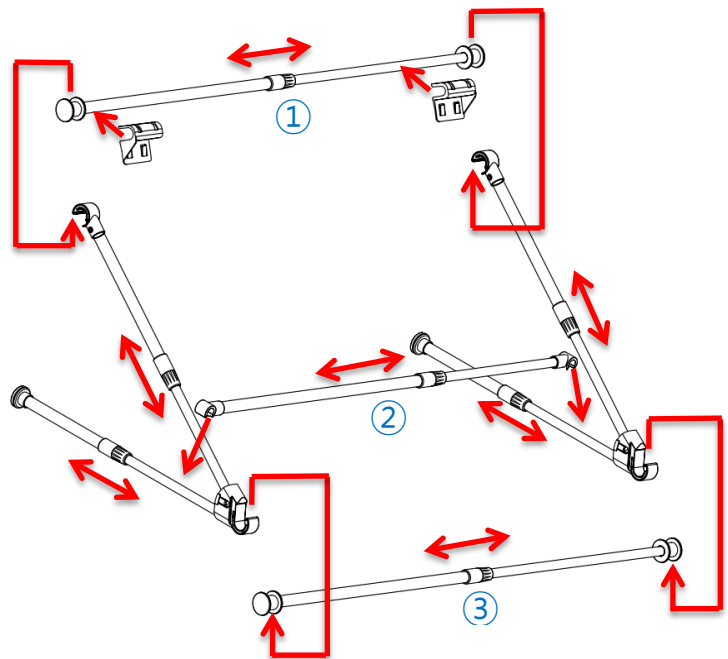


Assembled View



1, Assembly

- ① ①pole placed with both side main pole
- ② ③pole placed pole joint
- ③ ②pole placed bothe side pole
- ④ Airconditioner mounted placed ①pole left and right side
- ⑤ adjust pole lengh against the lengh of airconditioner



Air conditioner drying rack		
S I Z E	Wide	Min550mm, Max1000mm
	Height	Min250mm, Max570mm
	Length	Min230mm, Max480mm
Thick	Main Pole ø20mm, Side Pole ø16mm	
Materials	SUS304, ABS	
SWL	5KG	
Drying Pole	2ea, (Front, Rear)	

Application View

